

- 保证 105°C 10000 小时准品;
 - 请注意不属于基板清洗类型;
- 适用于交通信号控制机, 信号控制柜、LED 频闪灯与爆闪灯

低电阻品

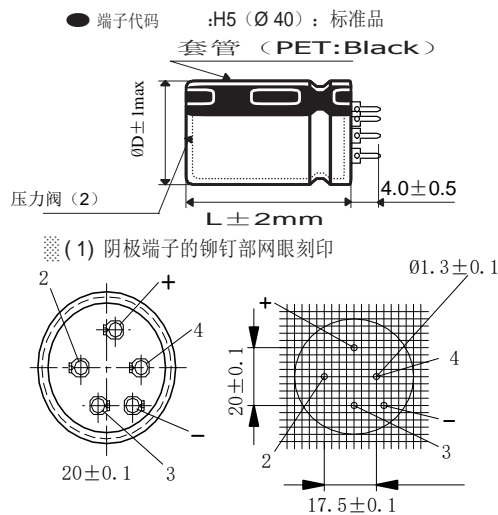
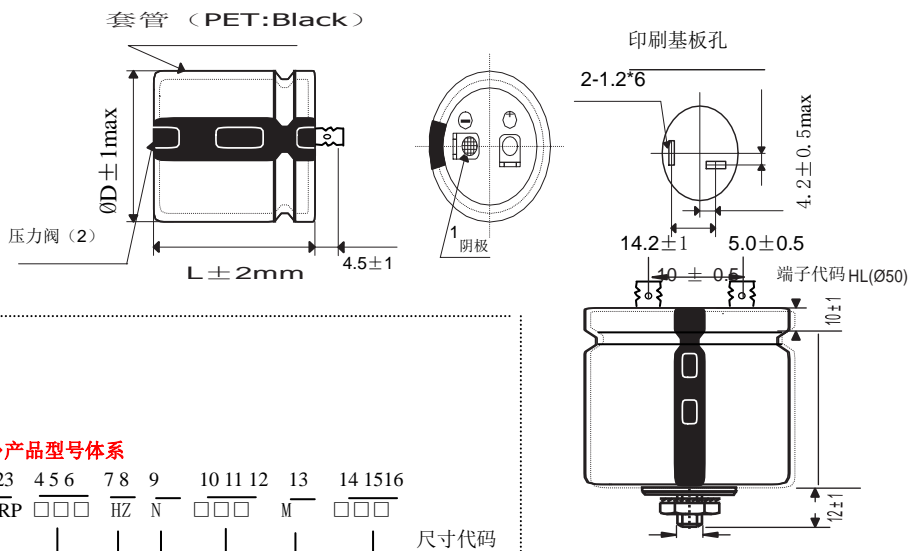
RoHS 指令
适应品



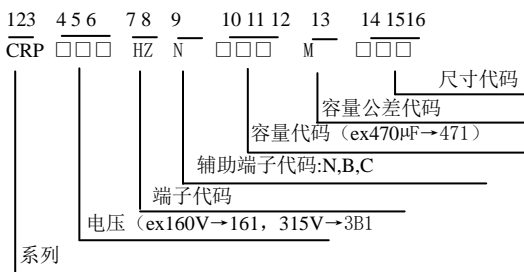
规格表

项目	性能		
工作温度范围	-25~+105°C		
额定电压范围	16~500 _{VDC}		
静电容量容许差	± 20% (M) 20°C、120HZ		
漏电流	I=3√CV 施加额定电压 5 分钟后 I=漏电流 (μA) C=静电容量 (μF) V=额定电压 20°C/5 分钟值		
损失角正切值 (tanδ)	额定电压 (Vdc)	16v~400V	420V~450V
	tanδ Max	0.15	0.20
温度特性	额定电压 (Vdc)	16v~400V	420V~500V
	Z(-25°C)/Z(+20°C)	4	8
耐久性	105°C 环境下, 不超过额定电压的范围下叠加额定纹波电流, 连续加载额定电压 10000 小时后, 待温度恢复到 25°C 进行测量时, 满足以下要求。		
	静电容量变化率	≤ 初始值的 ±20%	
	损失角正切值	≤ 初始规格值的 200%	
高温无负荷特性	在 105°C 环境下, 无负荷放置 1000 小时后待温度恢复到 20°C, 进行试验前处理 (JIS C 5101-4 4.1 项) 后进行测量时, 应满足以下要求。		
	静电容量变化率	≤ 初始值的 ±20%	
	漏电流	≤ 初始规格值	

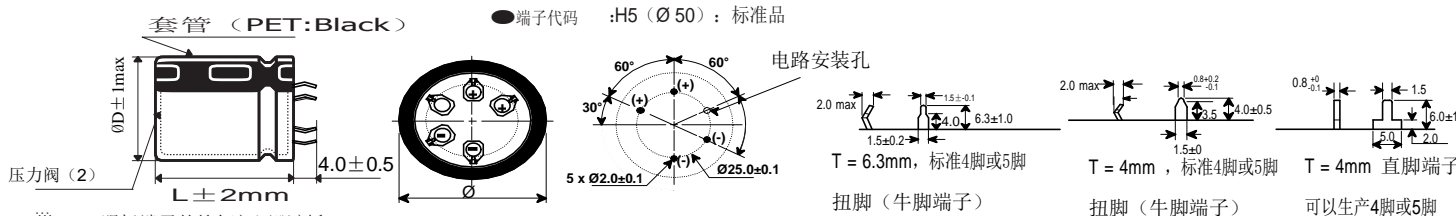
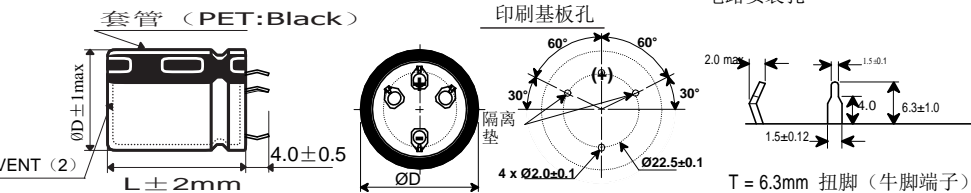
● 端子代码 HP (Ø22-35)



产品型号体系



● 端子代码 H4 (Ø35) : 标准品



(1) 阴极端子的铆钉部网眼刻印。

规格书中记载的内容有可能未经更新 (例如尺寸, 特殊的容量, 特殊的电压, 特殊的要求)。贵司在购买、使用时请咨询本公司商务工程师, 以便给您更新更准确的技术信息。



一览表

工作电压 [V]	额定容量 [μ F]	外壳尺寸 D x L [mm]	ESR 120 Hz 20°C [m Ω]	额定纹波电流 (Ams/105 °C, 120Hz)	产品型号	工作电压 [V]	额定容量 [μ F]	外壳尺寸 D x L [mm]	ESR 120 Hz 20°C [m Ω]	额定纹波电流 (Ams/105 °C, 120Hz)	产品型号
16V	22000	25×30	22	3.6	CRP160HPN223MQ30	25V	82000	35×100	6	13.5	CRP250HPN823MAA0
	27000	25×35	18	4.2	CRP160HPN273MQ35		82000	42×60	6	11.6	CRP250HPN823MV60
	39000	25×40	12	5.3	CRP160HPN393MQ40		120000	40×80	4	15.6	CRP250HPN124MU80
	33000	30×30	14	4.8	CRP160HPN333MR30		120000	40×100	4	17.1	CRP250HPN124MUA0
	39000	25×45	12	5.6	CRP160HPN393MQ45		120000	42×80	4	15.6	CRP250HPN124MV80
	47000	25×50	10	6.4	CRP160HPN473MQ50		150000	42×100	3	19.1	CRP250HPN154MVA0
	39000	30×35	12	5.5	CRP160HPN393MR35		5600	25×30	68	2.0	CRP400HPN562MQ30
	47000	35×30	10	6.4	CRP160HPN473MA30		6800	25×35	56	2.4	CRP400HPN682MQ35
	56000	30×40	9	7.0	CRP160HPN563MR40		8200	25×40	47	2.7	CRP400HPN822MQ40
	56000	35×35	9	7.4	CRP160HPN563MA35		8200	30×30	47	2.7	CRP400HPN822MR30
	68000	30×50	7	8.4	CRP160HPN683MR50	10000	25×45	38	3.2	CRP400HPN103MQ45	
	68000	35×40	7	8.5	CRP160HPN683MA40	10000	30×35	38	3.1	CRP400HPN103MR35	
	82000	35×45	6	9.7	CRP160HPN823MA45	10000	25×50	38	3.3	CRP400HPN103MQ50	
	100000	30×70	5	11.6	CRP160HPN104MR70	12000	30×40	32	3.6	CRP400HPN123MR40	
	82000	35×50	6	10.1	CRP160HPN823MA50	10000	35×30	38	3.3	CRP400HPN103MA30	
	120000	40×50	4	12.9	CRP160HPN124MU50	15000	30×45	25	4.2	CRP400HPN153MR45	
	150000	40×60	3	15.4	CRP160HPN154MU60	12000	35×35	32	3.8	CRP400HPN123MA35	
	180000	35×100	3	19.7	CRP160HPN184MAA0	15000	30×50	25	4.4	CRP400HPN153MR50	
	220000	40×80	2	20.8	CRP160HPN224MU80	15000	35×40	25	4.5	CRP400HPN153MA40	
	180000	42×60	3	16.9	CRP160HPN184MV60	18000	35×45	21	5.1	CRP400HPN183MA45	
270000	42×80	2	23.1	CRP160HPN274MV80	22000	35×50	17	5.8	CRP400HPN223MA50		
270000	40×100	2	25.3	CRP160HPN274MUA0	22000	30×70	17	6.1	CRP400HPN223MR70		
330000	42×100	1	27.9	CRP160HPN334MVA0	27000	35×60	14	6.9	CRP400HPN273MA60		
25V	10000	25×30	45	2.5	CRP250HPN103MQ30	27000	40×50	14	6.8	CRP400HPN273MU50	
	12000	25×35	37	2.9	CRP250HPN123MQ35	33000	35×80	12	8.6	CRP400HPN333MA80	
	15000	25×40	30	3.4	CRP250HPN153MQ40	33000	40×60	12	8.1	CRP400HPN333MU60	
	15000	30×30	30	3.4	CRP250HPN153MR30	47000	35×100	8	11.3	CRP400HPN473MAA0	
	18000	25×45	25	3.9	CRP250HPN183MQ45	47000	40×80	8	10.8	CRP400HPN473MU80	
	18000	30×35	25	3.9	CRP250HPN183MR35	39000	42×60	10	8.8	CRP400HPN393MV60	
	18000	25×50	25	4.1	CRP250HPN183MQ50	56000	40×100	7	12.9	CRP400HPN563MUA0	
	22000	30×40	20	4.5	CRP250HPN223MR40	56000	42×80	7	11.7	CRP400HPN563MV80	
	18000	35×30	25	4.1	CRP250HPN183MA30	82000	42×100	5	15.5	CRP400HPN823MVA0	
	27000	30×45	17	5.1	CRP250HPN273MR45	2700	25×30	106	1.6	CRP630HPN272MQ30	
	27000	30×50	17	5.4	CRP250HPN273MR50	3300	25×35	87	1.9	CRP630HPN332MQ35	
	22000	35×35	21	4.7	CRP250HPN223MA35	3900	25×40	73	2.2	CRP630HPN392MQ40	
	27000	35×40	17	5.4	CRP250HPN273MA40	3900	30×30	73	2.1	CRP630HPN392MR30	
	33000	35×45	14	6.3	CRP250HPN333MA45	4700	25×45	61	2.5	CRP630HPN472MQ45	
	39000	30×70	12	7.4	CRP250HPN393MR70	4700	30×35	61	2.5	CRP630HPN472MR35	
	39000	35×50	12	7.1	CRP250HPN393MA50	5600	25×50	51	0.0	CRP630HPN562MQ50	
	47000	35×60	10	8.3	CRP250HPN473MA60	5600	30×40	51	2.8	CRP630HPN562MR40	
	56000	40×50	8	8.9	CRP250HPN563MU50	5600	35×30	51	2.9	CRP630HPN562MA30	
	56000	35×80	8	10.2	CRP250HPN563MA80	6800	30×45	42	3.3	CRP630HPN682MR45	
	58000	40×60	7	10.5	CRP250HPN583MU60	6800	35×35	42	3.3	CRP630HPN682MA35	



深圳市青侓电子有限公司

电话: +86-0755-27299931 传真: +86-0755-27299961

公司地址: 广东省深圳市福永镇福海科技工业园

<http://www.szcapsun.com>

高 性 赖 性

工作电压 [V]	额定容量 [μ F]	外壳尺寸 D x L [mm]	ESR 120 Hz 20°C [m Ω]	额定纹波电流 (Ams/105°C, 120Hz)	产品型号	工作电压 [V]	额定容量 [μ F]	外壳尺寸 D x L [mm]	ESR 120 Hz 20°C [m Ω]	额定纹波电流 (Ams/105°C, 120Hz)	产品型号
63V	8200	30×50	35	3.7	CRP630HPN822MR50	100V	2200	25×45	72	2.3	CRP101HPN222MQ45
	8200	35×45	35	4.0	CRP630HPN822MA45		2200	25×50	72	2.4	CRP101HPN222MQ50
	12000	30×70	24	5.2	CRP630HPN123MR70		2200	35×30	72	2.4	CRP101HPN222MA30
	12000	35×60	24	5.3	CRP630HPN123MA60		2700	30×40	59	2.7	CRP101HPN272MR40
	15000	40×50	19	5.9	CRP630HPN153MU50		2700	30×45	59	2.8	CRP101HPN272MR45
	18000	35×80	16	7.3	CRP630HPN183MA80		2700	35×35	59	2.8	CRP101HPN272MA35
	18000	40×60	16	6.9	CRP630HPN183MU60		3300	30×50	48	3.2	CRP101HPN332MR50
	22000	42×60	13	7.6	CRP630HPN223MV60		3300	35×40	48	3.2	CRP101HPN332MA40
	22000	35×100	13	8.9	CRP630HPN223MAA0		3900	35×45	41	3.7	CRP101HPN392MA45
	22000	40×80	13	8.5	CRP630HPN223MU80		5600	30×70	28	4.7	CRP101HPN562MR70
	27000	40×100	11	10.3	CRP630HPN273MUA0		4700	35×50	34	4.2	CRP101HPN472MA50
	27000	42×80	11	9.4	CRP630HPN273MV80		5600	35×60	28	4.9	CRP101HPN562MA60
	39000	42×100	7	12.4	CRP630HPN393MVA0		5600	40×50	28	4.8	CRP101HPN562MU50
80V	1800	25×30	177	1.3	CRP800HPN182MQ30	6800	35×80	23	6.1	CRP101HPN682MA80	
	1800	25×35	177	1.3	CRP800HPN182MQ35	6800	40×60	23	5.7	CRP101HPN682MU60	
	2700	25×40	118	1.7	CRP800HPN272MQ40	10000	35×100	16	8.1	CRP101HPN103MAA0	
	2700	30×30	118	1.7	CRP800HPN272MR30	12000	40×80	13	8.4	CRP101HPN123MU80	
	3300	25×45	97	2.0	CRP800HPN332MQ45	10000	42×60	16	6.9	CRP101HPN103MV60	
	3900	25×50	82	2.3	CRP800HPN392MQ50	12000	42×80	13	8.4	CRP101HPN123MV80	
	3300	30×35	97	2.0	CRP800HPN332MR35	15000	40×100	11	10.3	CRP101HPN153MUA0	
	3900	35×30	82	2.3	CRP800HPN392MA30	18000	42×100	9	11.3	CRP101HPN183MVA0	
	3900	30×40	82	2.3	CRP800HPN392MR40	470	25×30	237	1.1	CRP161HPN471MQ30	
	4700	30×45	68	2.6	CRP800HPN472MR45	560	25×35	199	1.3	CRP161HPN561MQ35	
	4700	35×35	68	2.6	CRP800HPN472MA35	680	25×40	164	1.5	CRP161HPN681MQ40	
	5600	30×50	57	2.9	CRP800HPN562MR50	680	30×30	164	1.4	CRP161HPN681MR30	
	5600	35×40	57	3.0	CRP800HPN562MA40	820	25×45	136	1.7	CRP161HPN821MQ45	
	6800	35×45	47	3.4	CRP800HPN682MA45	820	30×35	136	1.7	CRP161HPN821MR35	
	6800	35×50	47	3.6	CRP800HPN682MA50	1000	25×50	111	1.9	CRP161HPN102MQ50	
	8200	30×70	39	4.1	CRP800HPN822MR70	1000	30×40	111	1.9	CRP161HPN102MR40	
	10000	35×60	32	4.6	CRP800HPN103MA60	1000	35×30	111	1.9	CRP161HPN102MA30	
	10000	40×50	32	4.6	CRP800HPN103MU50	1200	30×45	93	2.2	CRP161HPN122MR45	
	12000	35×80	27	5.7	CRP800HPN123MA80	1200	35×35	93	2.2	CRP161HPN122MA35	
	12000	40×60	27	5.3	CRP800HPN123MU60	1500	30×50	74	2.6	CRP161HPN152MR50	
18000	35×100	18	7.6	CRP800HPN183MAA0	1500	35×40	74	2.6	CRP161HPN152MA40		
15000	42×60	21	6.0	CRP800HPN153MV60	1800	35×45	62	3.0	CRP161HPN182MA45		
18000	40×80	18	7.3	CRP800HPN183MU80	1800	35×50	62	3.1	CRP161HPN182MA50		
22000	42×80	14	8.1	CRP800HPN223MV80	2200	30×70	51	3.6	CRP161HPN222MR70		
22000	40×100	14	8.8	CRP800HPN223MUA0	2200	35×60	51	3.7	CRP161HPN222MA60		
27000	42×100	12	9.8	CRP800HPN273MVA0	2700	40×50	41	4.0	CRP161HPN272MU50		
100V	1200	25×30	133	1.5	CRP101HPN122MQ30	3300	35×80	34	5.0	CRP161HPN332MA80	
	1500	25×35	106	1.7	CRP101HPN152MQ35	3300	40×60	34	4.7	CRP161HPN332MU60	
	1800	25×40	88	2.0	CRP101HPN182MQ40	3900	35×100	29	6.0	CRP161HPN392MAA0	
	1800	30×30	88	2.0	VSQ101HPN182MR30	3900	42×60	29	5.2	CRP161HPN392MV60	

规格书中记载的内容有可能未经更新(例如尺寸,特殊的容量,特殊的电压,特殊的要求)。贵司在购买、使用时请咨询本公司商务工程师,以便给您更新更准确的技术信息。



深圳市青侓电子有限公司

电话: +86-0755-27299931 传真: +86-0755-27299961

<http://www.szcapsun.com>

高 性 赖 性

公司地址: 广东省深圳市福永镇福海科技工业园

工作电压 [V]	额定容量 [μ F]	外壳尺寸 D x L [mm]	ESR 120 Hz 20°C [m Ω]	额定纹波电流 (Ams/105°C, 120Hz)	产品型号	工作电压 [V]	额定容量 [μ F]	外壳尺寸 D x L [mm]	ESR 120 Hz 20°C [m Ω]	额定纹波电流 (Ams/105°C, 120Hz)	产品型号	
160V	4700	40×80	24	6.3	CRP161HPN472MU80	350V	560	35×45	171	1.8	CRP351HPN561MA45	
	5600	40×100	20	7.5	CRP161HPN562MUA0		680	35×50	141	2.1	CRP351HPN681MA50	
	5600	42×80	20	6.9	CRP161HPN562MV80		820	30×70	117	2.3	CRP351HPN821MR70	
	6800	42×100	16	8.3	CRP161HPN682MVA0		820	35×60	117	2.4	CRP351HPN821MA60	
200V	470	25×30	203	1.2	CRP201HPN471MQ30		1000	40×50	96	2.6	CRP351HPN102MU50	
	560	25×35	171	1.4	CRP201HPN561MQ35		1200	35×80	80	3.3	CRP351HPN122MA80	
	680	25×40	141	1.6	CRP201HPN681MQ40		1200	40×60	80	3.1	CRP351HPN122MU60	
	680	30×30	141	1.6	CRP201HPN681MR30		1500	35×100	64	4.0	CRP351HPN152MAA0	
	820	25×45	117	1.8	CRP201HPN821MQ45		1500	42×60	64	3.4	CRP351HPN152MV60	
	820	30×35	117	1.8	CRP201HPN821MR35		1800	40×80	53	4.2	CRP351HPN182MU80	
	1000	35×30	96	2.1	CRP201HPN102MA30		1800	40×100	53	4.6	CRP351HPN182MUA0	
	1000	25×50	96	2.1	CRP201HPN102MQ50		2200	42×80	43	4.7	CRP351HPN222MV80	
	1000	30×40	96	2.1	CRP201HPN102MR40		2700	42×100	35	5.6	CRP351HPN272MVA0	
	1200	30×45	80	2.4	CRP201HPN122MR45		400V	180	25×30	708	0.6	CRP401HPN181MQ30
	1500	30×50	64	2.8	CRP201HPN152MR50			180	22×40	708	0.7	CRP401HPN181ME40
	1200	35×35	80	2.4	CRP201HPN122MA35			220	25×35	579	0.7	CRP401HPN221MQ35
	1500	35×40	64	2.8	CRP201HPN152MA40	270		25×40	472	0.9	CRP401HPN271MQ40	
	1800	35×45	53	3.2	CRP201HPN182MA45	270		30×30	472	0.8	CRP401HPN271MR30	
	1800	35×50	53	3.3	CRP201HPN182MA50	330		25×45	386	1.0	CRP401HPN331MQ45	
	2200	30×70	43	3.8	CRP201HPN222MR70	330		25×50	386	1.0	CRP401HPN331MQ50	
	2200	35×60	43	4.0	CRP201HPN222MA60	330		30×35	386	1.0	CRP401HPN331MR35	
	3300	35×80	29	5.4	CRP201HPN332MA80	390		35×30	327	1.1	CRP401HPN391MA30	
	2700	40×50	35	4.3	CRP201HPN272MU50	390		30×40	327	1.1	CRP401HPN391MR40	
	3300	40×60	29	5.1	CRP201HPN332MU60	470		35×35	271	1.3	CRP401HPN471MA35	
3900	35×100	24	6.5	CRP201HPN392MAA0	470	30×45		271	1.3	CRP401HPN471MR45		
4700	40×80	20	6.8	CRP201HPN472MU80	560	30×50		227	1.5	CRP401HPN561MR50		
3900	42×60	24	5.6	CRP201HPN392MV60	560	35×40		227	1.6	CRP401HPN561MA40		
5600	40×100	17	8.1	CRP201HPN562MUA0	680	30×70		187	1.8	CRP401HPN681MR70		
5600	42×80	17	7.4	CRP201HPN562MV80	680	35×60		187	1.8	CRP401HPN681MA60		
6800	42×100	14	9.0	CRP201HPN682MVA0	820	35×50	155	2.0	CRP401HPN821MA50			
350V	180	25×30	531	0.7	CRP351HPN181MQ30	820	35×60	155	2.1	CRP401HPN821MA60		
	220	25×35	434	0.9	CRP351HPN221MQ35	820	40×50	155	2.1	CRP401HPN821MU50		
	270	25×40	354	1.0	CRP351HPN271MQ40	1200	35×80	106	2.8	CRP401HPN122MA80		
	270	30×30	354	1.0	CRP351HPN271MR30	1200	40×60	106	2.7	CRP401HPN122MU60		
	330	25×45	290	1.2	CRP351HPN331MQ45	1500	35×100	85	3.5	CRP401HPN152MAA0		
	330	30×35	290	1.1	CRP351HPN331MR35	1500	40×80	85	3.3	CRP401HPN152MU80		
	390	35×30	245	1.3	CRP351HPN391MA30	1800	42×60	71	3.3	CRP401HPN182MV60		
	390	25×50	245	1.3	CRP351HPN391MQ50	1800	40×100	71	4.0	CRP401HPN182MUA0		
	390	30×40	245	1.3	CRP351HPN391MR40	1800	42×80	71	3.6	CRP401HPN182MV80		
	470	30×45	203	1.5	CRP351HPN471MR45	2700	42×100	47	4.9	CRP401HPN272MVA0		
	470	35×35	203	1.5	CRP351HPN471MA35	450V	120	25×30	929	0.6	CRP451HPN121MQ30	
	560	30×50	171	1.7	CRP351HPN561MR50		150	25×35	743	0.7	CRP451HPN151MQ35	
560	35×40	171	1.7	CRP351HPN561MA40	180		25×40	619	0.8	CRP451HPN181MQ40		



工作电压 [V]	额定容量 [μ F]	外壳尺寸 D x L [mm]	ESR 120 Hz 20°C [m Ω]	额定纹波电流 (Ams/105 °C, 120Hz)	产品型号	工作电压 [V]	额定容量 [μ F]	外壳尺寸 D x L [mm]	ESR 120 Hz 20°C [m Ω]	额定纹波电流 (Ams/105 °C, 120Hz)	产品型号
450V	220	25×45	507	0.9	CRP451HPN221MQ45	500V	120	25×35	796	0.6	CRP501HPN121MQ35
	180	30×30	619	0.7	CRP451HPN181MR30		150	25×40	637	0.7	CRP501HPN151MQ40
	220	30×35	507	0.9	CRP451HPN221MR35		180	25×45	531	0.9	CRP501HPN181MQ45
	220	25×50	507	0.9	CRP451HPN221MQ50		150	30×30	637	0.7	CRP501HPN151MR30
	270	30×40	413	1.0	CRP451HPN271MR40		180	30×35	531	0.8	CRP501HPN181MR35
	220	35×30	507	0.9	CRP451HPN221MA30		220	25×50	434	1.0	CRP501HPN221MQ50
	270	30×45	413	1.0	CRP451HPN271MR45		220	30×40	434	1.0	CRP501HPN221MR40
	270	35×35	413	1.1	CRP451HPN271MA35		180	35×30	531	0.9	CRP501HPN181MA30
	330	30×50	338	1.2	CRP451HPN331MR50		270	30×45	354	1.1	CRP501HPN271MR45
	390	35×40	286	1.3	CRP451HPN391MA40		270	35×35	354	1.1	CRP501HPN271MA35
	390	35×45	286	1.4	CRP451HPN391MA45		270	30×50	354	1.2	CRP501HPN271MR50
	560	30×70	199	1.8	CRP451HPN561MR70		270	35×40	354	1.2	CRP501HPN271MA40
	470	35×50	237	1.6	CRP451HPN471MA50		390	35×45	245	1.5	CRP501HPN391MA45
	560	35×60	199	1.9	CRP451HPN561MA60		470	30×70	203	1.8	CRP501HPN471MR70
	560	40×50	199	1.8	CRP451HPN561MU50		390	35×50	245	1.6	CRP501HPN391MA50
	820	35×80	136	2.5	CRP451HPN821MA80		560	35×60	171	2.0	CRP501HPN561MA60
	1200	40×60	93	2.8	CRP451HPN122MU60		680	35×80	141	2.5	CRP501HPN681MA80
	1000	35×100	111	3.0	CRP451HPN102MAA0		680	40×60	141	2.3	CRP501HPN681MU60
	1000	42×60	111	2.6	CRP451HPN102MV60		820	35×100	117	3.0	CRP501HPN821MAA0
	1200	40×80	93	3.3	CRP451HPN122MU80		820	42×60	117	2.6	CRP501HPN821MV60
1500	40×100	74	4.0	CRP451HPN152MUA0	820	40×100	117	3.1	CRP501HPN821MUA0		
1200	42×80	93	3.2	CRP451HPN122MV80	1200	40×80	80	3.4	CRP501HPN122MU80		
1800	42×100	62	4.3	CRP451HPN182MVA0	1200	42×80	80	3.4	CRP501HPN122MV80		
500V	120	25×30	796	0.6	CRP501HPN121MQ30	1500	42×100	64	4.2	CRP501HPN152MVA0	

◆额定纹波电流频率修正系数

纹波频率与标准品一览表的规定值相异时, 请使用小于乘以下表系数所得之值的值。

●频率修正系数

频率 (HZ)	50	60	120	500	1M	10M
16~100vc	0.93	0.95	1.00	1.05	1.08	1.15
160~500vc	0.75	0.80	1.00	1.20	1.25	1.40

× 铝电解电容器由于在纹波电流叠加时自我发热、温度上升而老化, 每升温 5°C 寿命减少一半。

想要保持长寿命请在使用过程中降低纹波电流。