



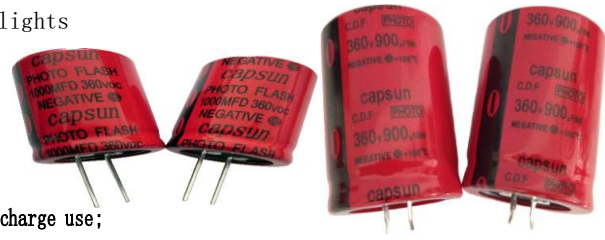
- apply to traffic lights, Navigation lights, Automobile headlamp, Obstruction light, strobe lights, roof warning light, High speed flash, Traffic speed flash, HD Bayonet, Electronic police red light violation Capture flash, Stage a strobe light etc;

- Laser cosmetic instrument, IPL Hair removal skin rejuvenation, E light beauty instrument, Prostate therapeutic instrument, Electronic medical pulse, Electron accelerator;

- $\Delta V=150V$ charge and discharge 30000000 time;

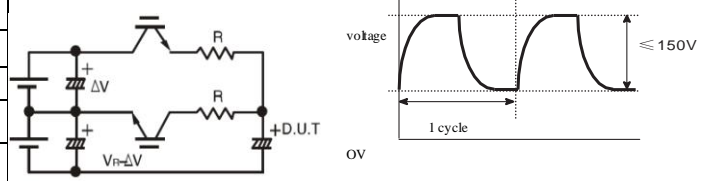
- Electrolytic capacitors for rapid strobe flash applications, long life under rapid charge and discharge use;

- Can immediately discharge or completely clean discharge, Special requirements, pulse width is more than 0.3ms, the size of the pulse current can be correspondingly adjusted automatically.

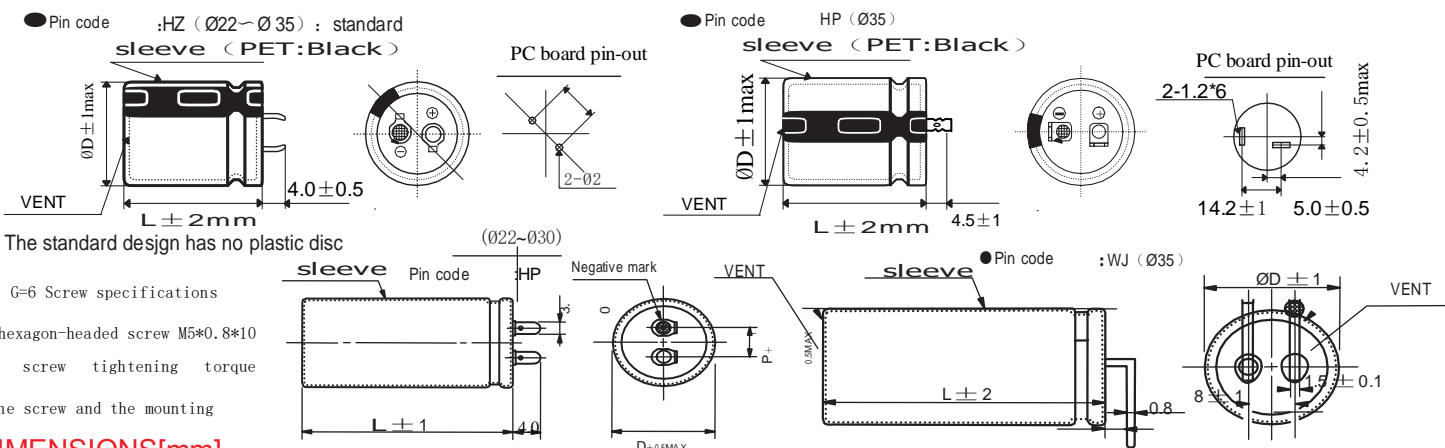


◆ SPECIFIC ATIONS

items	characteristics		
Category temperature Range	-40~+105°C		
Rated voltage Range	330V~500V		
Capacitance Tolerance	±5% 20°C、120HZ		
Leakage Current	I=1Xc(After 5 minutes application of voltage) I: Where, I : Max. leakage current (µA), C: Nominal capacitance (µF), Rated voltage (V) at 20°C after 5 minutes)		
Dissipation Factor (MAX)	Rated capacitance (µF)	30~600µF	601~2500µF
	tanδ	0.07	0.10
charge and discharge	Charge and discharge at rated voltage at 15~35°C in every 1seconds for 30000000times via Xe flash tube with discharge resistance of 0.7~1.0Ω		
	Charging voltage	Rated voltage	
	discharge voltage	Rated voltage ≤0.3	
	Charge and discharge frequency	see listing	
	Charge and discharge resistor	see listing	
	Capacitance change	≤±20% of the initial value	
	D. F. (tanδ)	≤200% of the initial specified value	
	Leakage current	≤The initial specified value	
Shelf Life	The following specifications shall be satisfied when the capacitors are restored to 20°C after exposing them for 1000 hours at 105°C without voltage applied. Before the measurement, the capacitor shall be preconditioned by applying voltage according to Item 4.1 of JIS C 5101-4		
	Capacitance change	≤±20% of the initial value	
	D. F. (tanδ)	≤200% of the initial specified value	
	Leakage current	≤The initial specified value	

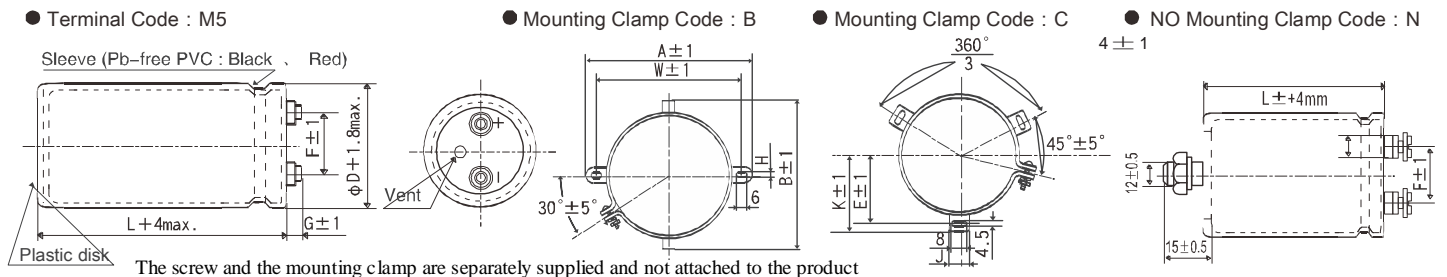


◆ DIMENSION (SNAP-IN TYPE)[mm]

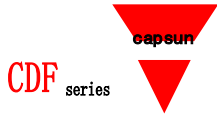


Ø35-Ø50: G=6 Screw specifications
~ Plus hexagon-headed screw M5*0.8*10
Maximum screw tightening torque
3.23N.m The screw and the mounting

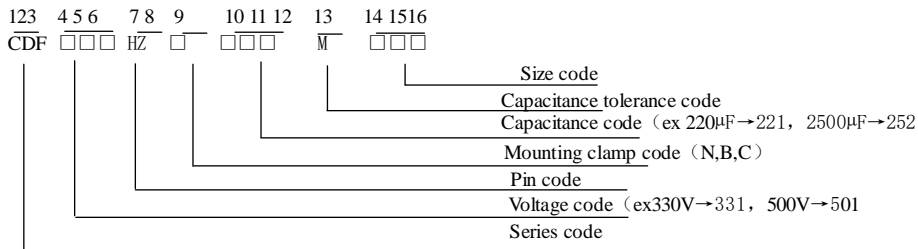
◆ DIMENSIONS[mm]



The screw and the mounting clamp are separately supplied and not attached to the product



◆PART NUMBERING SYSTEM



SRANDRAD RATINGS

Snap-in type									
Capacity (μF)	Voltage (Vdc)	ESR (Ω) 120HZ	Leakage current (μA)	Size (mm)	Capacity (μF)	Voltage (Vdc)	ESR (Ω) 120HZ	Leakage current (μA)	Size (mm)
220	330	0.469	220	22×30	220	360	0.41	220	30×35
300	330	0.663	300	25×35	250	360	0.37	250	25×50
300	330	0.663	300	30×25	300	360	0.31	300	30×35
350	330	0.568	350	25×40	330	360	0.31	330	30×35
350	330	0.568	350	30×30	470	360	0.21	470	30×45
400	330	0.497	400	25×40	680	360	0.21	680	35×50
400	330	0.497	400	30×30	820	360	0.18	820	35×55
500	330	0.398	500	25×50	1000	360	0.14	1000	35×60
500	330	0.398	500	30×35	1200	360	0.12	1200	35×65
600	330	0.332	600	30×40	1200	360	0.12	1200	40×60
700	330	0.284	700	35×40	1800	360	0.11	1800	35×75
800	330	0.249	800	35×40	1800	360	0.11	1800	40×65
900	330	0.221	900	35×50	2200	360	0.10	2200	35×75
900	330	0.199	900	35×45	2200	360	0.10	2200	40×70
1000	330	0.199	1000	35×50	2500	360	0.08	2500	35×80
1000	330	0.166	1000	40×40	2500	360	0.08	2500	40×75
1200	330	0.166	1200	35×50	30	450	3.07	30	25×25
1500	330	0.133	1500	35×63	40	450	2.30	40	22×40
2000	330	0.099	2000	35×80	50	450	1.84	50	25×35
2700	330	0.074	2700	40×80	60	450	1.54	60	25×40
50	360	1.92	48	25×25	80	450	1.15	80	25×50
60	360	1.54	60	25×30	100	450	1.08	100	30×40
80	360	1.15	80	25×35	120	450	0.77	120	30×50
100	360	0.92	100	25×40	150	450	0.61	150	35×50
120	360	0.77	120	30×30	180	450	0.52	180	35×60
150	360	0.61	150	25×50	220	450	0.45	220	35×65
200	360	0.46	200	30×50	330	450	0.32	330	35×70
screw/lug/5pin									
Capacity (μF)	Voltage (Vdc)	ESR (Ω) 120HZ	Leakage current (μA)	Size (mm)	Capacity (μF)	Voltage (Vdc)	ESR (Ω) 120HZ	Leakage current (μA)	Size (mm)
600	500	0.332	600	35×92	1300	500	0.153	1300	50×120
800	500	0.249	800	35×115	1600	500	0.124	1600	50×135
900	500	0.221	900	50×80	1700	500	0.117	1700	50×150
1000	500	0.199	1000	50×100	2100	500	0.095	2100	50×160
1200	500	0.166	1200	50×120	2500	500	0.072	2500	50×180

capsun flash series

1、SPF over voltage is only 330WV, this year added 310V, 360V two kinds of voltage. Because of particularity of camera design. Especially digital camera size thinner, smaller and smaller, if the guests have special or super small size requirements, For the details, please contact representative of capsun;

2、capsun SPF series, CDF series for studio, digital camera, professional photographic equipment, flash capacitor. Before the flash capacitor installation ways mainly have the lead type, lug type, Now added can be installed in many ways, for example (snap-in type, long lug type, Multi pin type ,screw type) ;

For example: Highway bayonet shooting, Infrared security bayonet, Field pulse signal, Laser pulse power, Also taking into account the larger current, use Screw type Installation For example, 2500 μ F360WV diameter 50mm, height 75mm flash capacitor.

3、capsun Electronics SPF、CDF series long life under rapid charge and discharge use Widely used in traffic lights, apply to traffic lights, Navigation lights, Automobile headlamp, Obstruction light, strobe lights roof warning light, High speed flash, Traffic speed flash, HD Bayonet, Electronic police red light violation Capture flash, Stage a strobe light etc Laser cosmetic instrument IPL hair removal skin rejuvenation E light beauty instrument Prostate therapeutic instrument Electronic medical pulse

Electron accelerator etc, Flash life (charge discharge according to 0.3WV) 30000000 time, For special products, The life span of a 100 million times; For example, 50 μ F360V can also be used in special boost circuit. Adopt the latest structure design of capsun, adopt the electrolyte system from MATSUSHITA, suitable for high ripple and high current circuit, with better performance than CDF series of RUBYCON, The electrical parameters of the total beyond peer

4、A、Because SPF and CDF are special capacitor, So the product approval, there will be a unique code to the guests; B. Because of the difference between the circuit of charge and discharge of the discharge, sometimes need to ask for the circuit diagram of Because of the difference between the circuit of charge and discharge of the discharge, sometimes need to ask for the circuit diagram, As a reference design;

SPF for 2-4 times / sec , spec 360WV, 400WV, 450WV, Apply to rising voltage circuit closed loop

CDF for ≥ 5 times/sec, Highest 11 times / sec, spec 360WV、450WV、500WV Apply to rising voltage circuit closed loop, Can immediately discharge or completely clean discharge, Special requirements, pulse width is more than 0.3ms, the size of the pulse current can be correspondingly adjusted automatically

charge and discharge projects:

A DC voltage charging and AC voltage charging and Discharge for the flash tube type high pressure xenon lamp

5、Suitable for high ripple circuit, with life of over 30 million times or guarantee period of 5 years, adopt design from and abroad electrolyte system from MATSUSHITA with parameter better than abroad CAPACITOR

Note: the flash capacitor The Life And Charge discharge Frequency relationship, And Capacitor The Parallel circuit Circuit closed loop same relationship, and charge discharge Frequency ESR same relationship.